

# Outdoor Full-Color Wi-Fi Pan Tilt Network Camera

MODEL: VIGI C540-W(4mm)



**4MP|H.265+**

VIGI C540-W(4mm)



Human & Vehicle  
Classification



Smart Detection



Powerful Pan Tilt



IP66



Onboard Storage\*



Wired or Wireless  
Networking

## // Human & Vehicle Classification

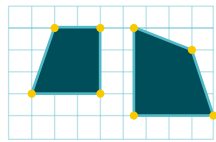
Intelligently distinguishes humans and vehicles from other objects, so you receive more accurate event notifications.



## // Smart Detection



**Motion  
Detection**



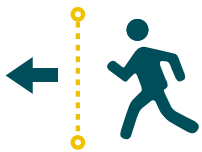
**Region  
Intrusion**



**Object Removal  
Detection**



**Region Exiting  
Detection**



**Line-Crossing**



**Camera  
Tampering**



**Object Abandoned  
Detection**



**Region Entering  
Detection**

## // SmartVid



### Smart IR

Keeps objects from being under-rendered when far away or overexposed when close to camera at night.



### Wide Dynamic Range

Adjusts for lighting contrast to minimize shadowing effects and renders images true to life.



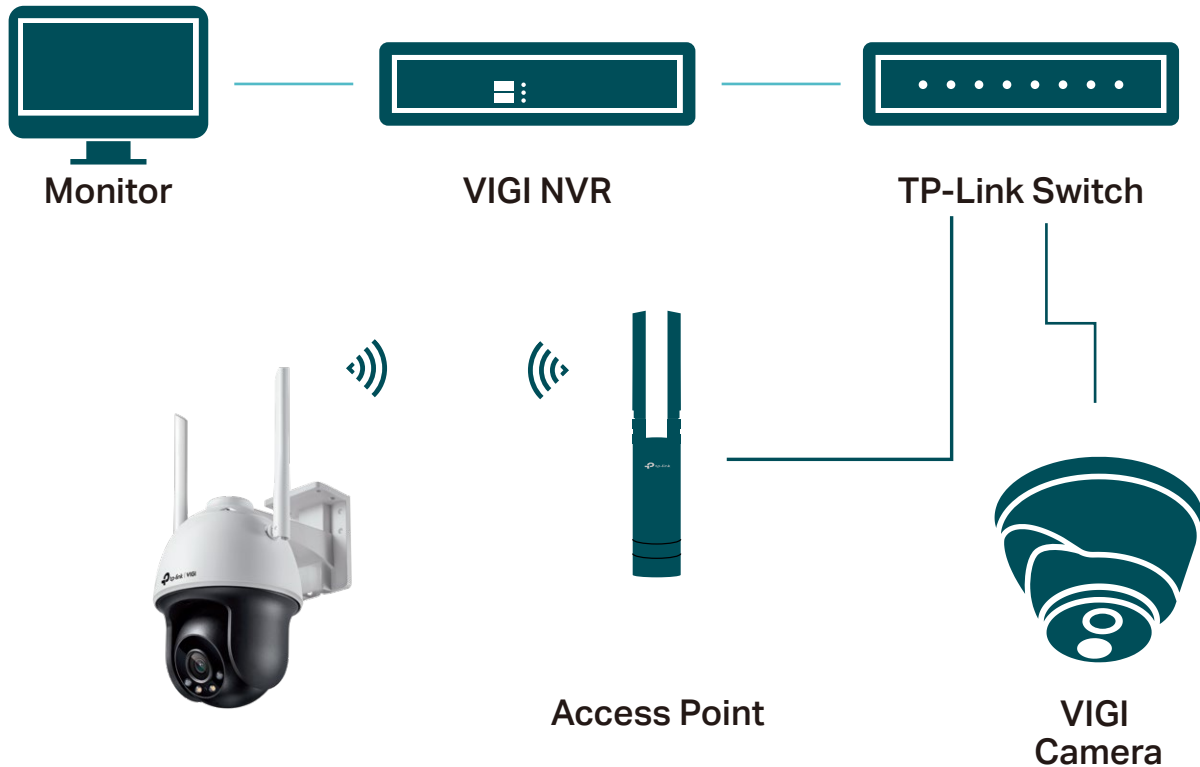
### 3D DNR

Removes abnormal pixelation to provide clearer video and eliminate distortion.

## // VIGI Surveillance Solution

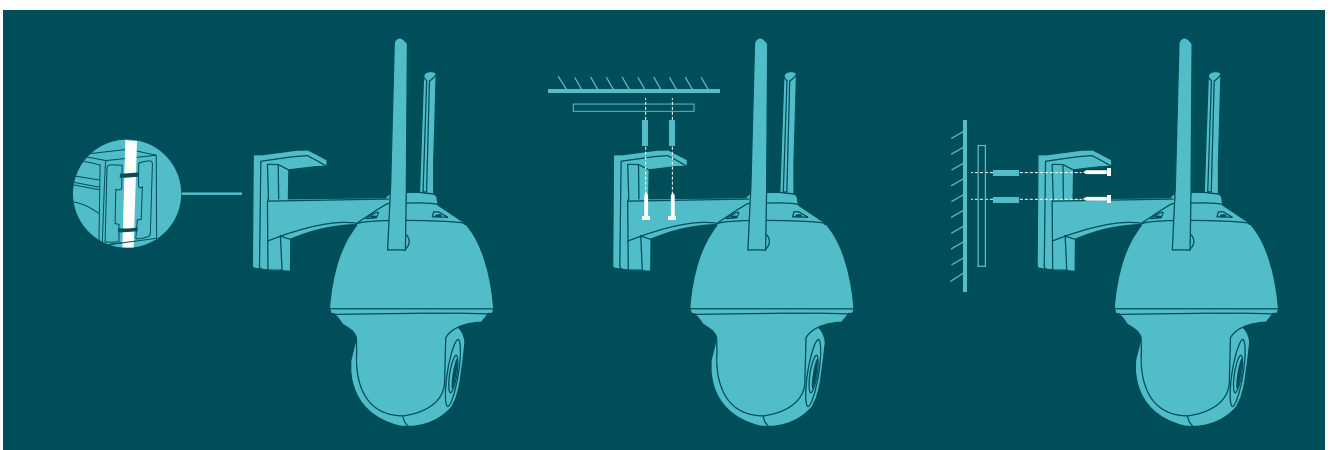
The VIGI professional surveillance system by TP-Link is dedicated to protecting the business that you've worked hard to build—whenever, wherever.

Outstanding functions, reliable quality guarantees, and simplified installation work together to ensure your business stays safe and sound.



## // Flexible Installation

Find the perfect vantage point by simply securing your camera to the ceiling, wall, or pole.



## // Specifications

Camera	
Product Model	VIGI C540-W
Image Sensor	1/3" Progressive Scan CMOS
Slow Shutter	Yes
Min. Illumination	0.005 Lux; 0 Lux with IR/White Light
Day/Night Mechanism	IR Cut Filter
Day/Night Switch	Unified/ Scheduled/ Auto
PTZ	
Pan/Tilt Range	Pan: 0° to 350°, Tilt: 0° to 120°
Pan Speed	Configurable from 8° to 44°/s; Preset Speed: 44°/s
Tilt Speed	Configurable from 8° to 44°/s, Preset Speed 44°/s
Manual Control Speed	Configurable from 8° to 35°/s
Presets	300
Patrol Scan	8 patrols, up to 8 presets for each patrol
Power-off Memory	Yes; Auto restore to previous PT and lens status after power failure
Park Action	Yes; Preset; Patrol Scan
3D Positioning	Yes
Lens	
Focal Length	4 mm
Aperture	F1.6
Focus	Fixed
FOV	Horizontal FOV: 79°, Vertical FOV: 43°, Diagonal FOV: 93°
Lens Mount	M12
DORI Distance	Detect: 80 m (262 ft) Observe: 33 m (109 ft) Recognize: 16 m (52 ft) Identify: 8 m (26 ft)

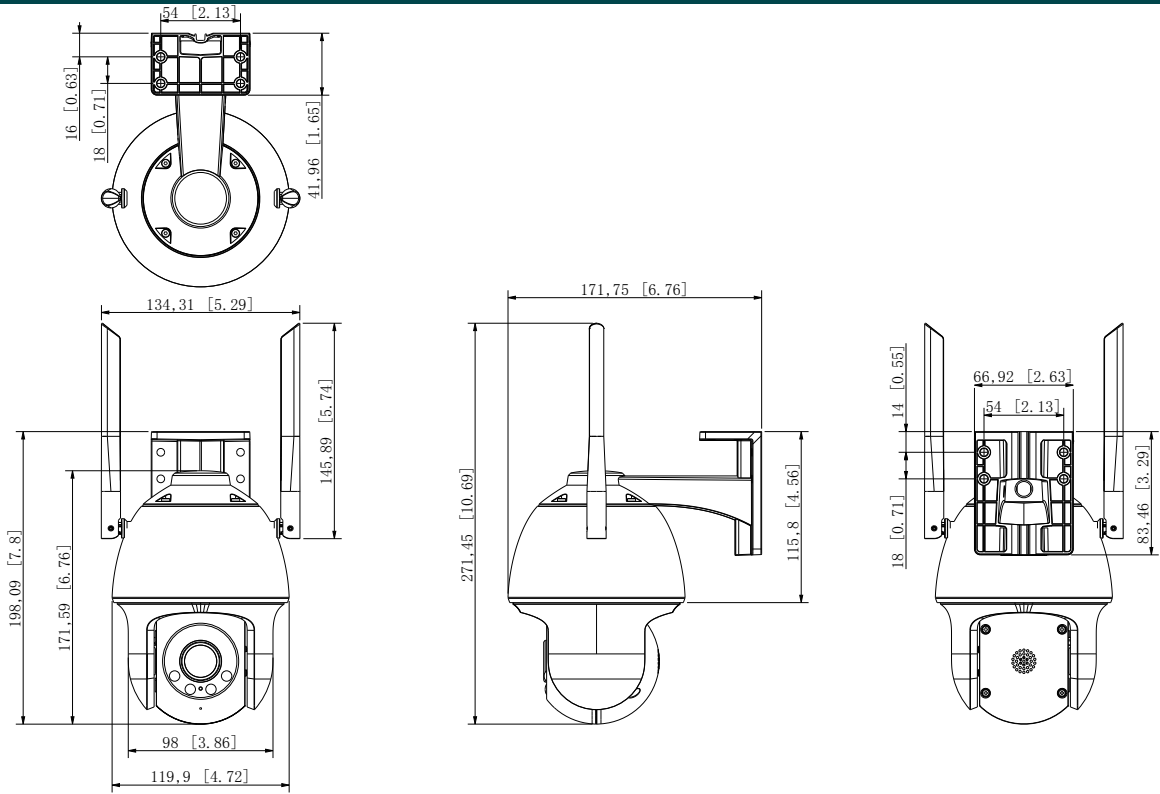
Illuminator	
IR LED	Quantity: 2 Range: 30m; Wavelength: 850nm
White LED	Quantity: 2 Range: 30m
Illuminator On/Off Control	Auto/Scheduled/Always on/Always off
Video	
Max. Resolution	2560 X 1440
Main Stream	Frame Rate: 50Hz: 1fps, 5fps, 10fps, 15fps, 20fps, 25fps 60Hz: 1fps, 5fps, 10fps, 15fps, 20fps, 25fps, 30fps Resolution: 2560x1440, 2304x1296, 2048x1280, 1920x1080, 1280x720 Note: If the image rotation is set to 90° or 270°, the frame rate only supports up to 20fps.
Sub-Stream	Frame Rate: 50Hz: 1fps, 5fps, 10fps, 15fps, 20fps, 25fps 60Hz: 1fps, 5fps, 10fps, 15fps, 20fps, 25fps, 30fps Resolution: 640x480, 352x288, 320x240 Note: If the image rotation is set to 90° or 270°, the frame rate only supports up to 20fps.
Bit Rate Control	CBR, VBR
Video Compression	Main Stream: H.265+/H.265/H.264+/H.264 Sub-Stream: H.265/H.264
H.264 Type	High Profile
H.264+	Main Stream Supported
H.265 Type	Main Profile
H.265+	Main Stream Supported
Video Bit Rate	Main Stream: 256 Kbps to 3 Mbps Sub-Stream: 64 Kbps to 512 Kbps

Alarm and Event Management	
Smart Event	Human & Vehicle Classification, Area Intrusion Detection, Line-Crossing Detection, People Detection, Vehicle Detection, Region Entering Detection, Region Exiting Detection, Object Abandoned Detection, Object Removal Detection, Abnormal Sound Detection, Scene Change Detection
Basic Event	Motion Detection, Video Tampering Detection, Exception ( Illegal Login)
Alarm Linkage	Memory Card Video Recording, Message Push, Audible Warning, White Light Flashing
Linkage Method	N/A
Output Notification	Message Push
Image	
Image Settings	Mirror, Brightness, Contrast, Saturation, Sharpness, Exposure, WDR, White Balance, Prevent Overexposure to Infrared Light, HLC Adjustable by Client Software, Rotation (90°/270°)
Image Enhancement	BLC/3D DNR/HLC/SmartIR
Wide Dynamic Range	DWDR
SNR	≥ 52 dB
Image Parameters Switch	Yes
Privacy Mask	Up to 4 Masks
ROI	1Region
OSD Setting	Yes
Audio	
Audio Communication	Two-Way Audio
Audio Input	Yes
Audio Output	Yes
Audio Compression	Yes
Audio Sampling Rate	8KHz
Environment Noise Filtering	Yes

Audio Bit Rate	64 Kbps(G.711 alaw)	
<b>Network</b>		
Protocols	TCP/IP, UDP, ICMP, HTTP, HTTPS, DHCP, DNS, RTSP, NTP, UPnP UDP, SSL/TLS, FTP/SFTP, RTP, IPv4, IPv6, ARP	
API	Open Network Video Interface (Profile S)	
Web Browser	Google Chrome® 57 and above Firefox® 52 and above Safari® 11 and above Microsoft® Edge 91 and above	
Security	Password Protection, HTTPS Encryption, IP Address Filter, Digest Authentication	
Simultaneous Live View	Up to 6 Channels	
Client	VIGI App, VIGI Security Manager, Web UI	
Cloud	Yes	
ONVIF	Yes	
<b>Wireless</b>		
Standards	IEEE 802.11b/g/n	
Frequency	2.4 GHz	
WiFi Channels	UN: 1-13, US: 1-11	
Auto Wireless Channel	N/A	
Wireless Statistics	N/A	
Throughput Mornitor	N/A	
Radio Bandwidth	Auto	N/A
	20M	Yes
	40M	Yes
Transmit Power	High	
Wireless Rate	11Mbps(802.11b) 54Mbps(802.11g) 150/300Mbps(802.11n)	
Wireless Security	PWPA/WPA2-PSK	
Wireless Mode	AP, AP Client	

Interface	
Network Interface	1 RJ45 10/100M Self-Adaptive Ethernet Port
On-board Storage	Built-In Memory Card Slot, Support MicroSD Card, Up to 512 GB
Built-in Speaker	Yes
Built-in Microphone	Yes; Records Anything Going on within a 15-ft Radius of the Camera
Audio	N/A
Alarm	N/A
Reset Button	Yes
General	
Antenna	Quantity: 2
	Type: 2.4GHz Welded Dipole Omni-Directional Antenna
	Gain: 2.0dBi
Operating Temperature	-30–60 °C
Storage Temperature	-40–60 °C
Operating Humidity	95% or Less (Non-Condensing)
Storage Humidity	95% or Less (Non-Condensing)
Package Contents	VIGI Network Camera Quick Start Guide Waterproof Cable Attachments Power Adapter Mounting Accessories
Power Supply	12V DC/1A, 5.5mm Coaxial Power Plug
Power Consumption	Max 15.3W
Audio Communication	Two-Way Audio
Ingression Protection	IP66
Material	Plastic
Net Weight	0.62 Kg
Gross Weight	1.21 Kg
Product Dimensions	120 × 172 × 198 mm (excluding antennas)
Certifications	CE, RCM, BSMI, VCCI, RoHS, NCC, JRF, KC

# Dimensions



\*Micro SD card is not included in the package.

Specifications are subject to change without notice and can be found at [www.tp-link.com](http://www.tp-link.com).

©2024 TP-Link