

Full-Color

Wi-Fi Turret Network Camera

MODEL: VIGI C440-W(4mm)



Smart Detection



Two-Way Audio



On-Board Storage



Active Defense



Wired or Wireless
Networking

// Smart Detection

Receive notifications and check feeds when someone crosses a boundary, enters an area you've set, or obstructs the camera.



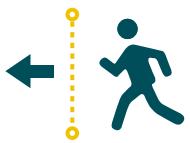
Motion Detection

Get instant notifications when your camera detects motion.



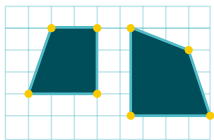
Human Detection

Smarter security alerts focus on human movement instead of flying insects, small animals and leaves.



Line-Crossing

Set a boundary and receive an alert anytime a person crosses it from either or both directions.



Area Intrusion

Set customized activity zones around key areas for more focused monitoring.



Camera Tampering

Receive alerts when someone obstructs the camera.

// SmartVid



Smart IR

Keeps objects from being under-rendered when far away or overexposed when close to camera at night.



Wide Dynamic Range

Adjusts for lighting contrast to minimize shadowing effects and renders images true to life.



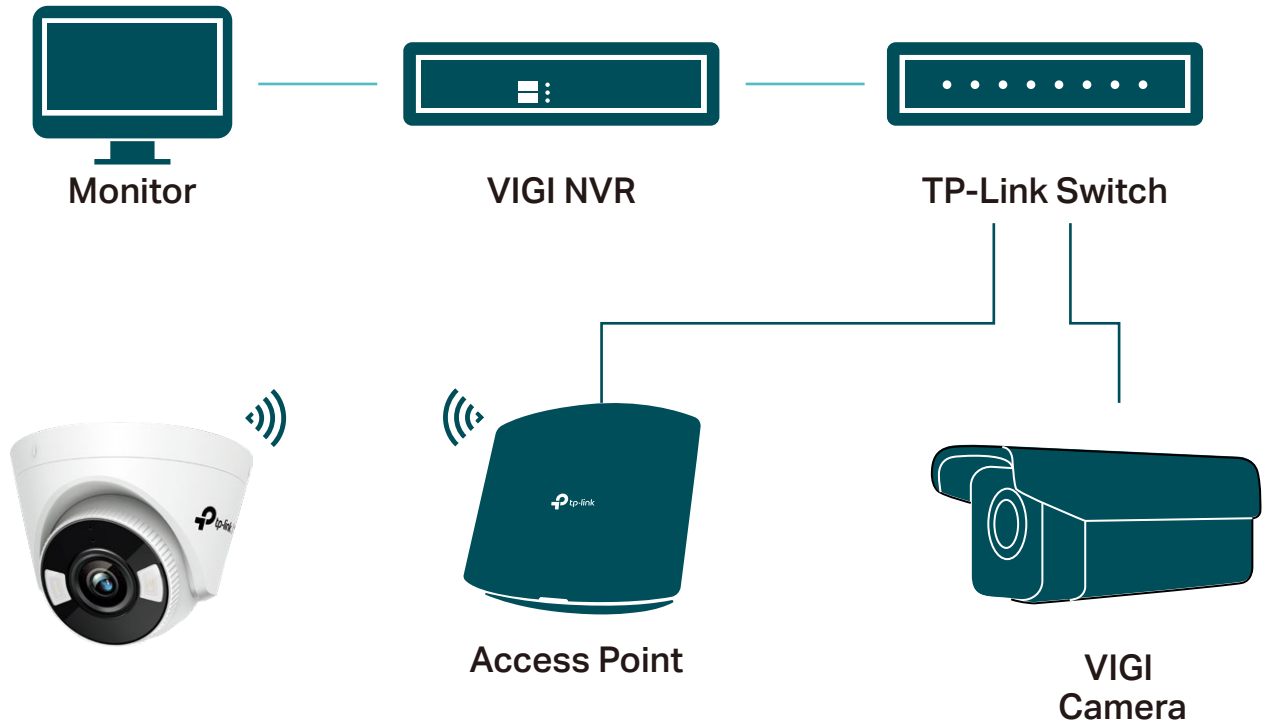
3D DNR

Removes abnormal pixelation to provide clearer video and eliminate distortion.

// VIGI Surveillance Solution

The VIGI professional surveillance system by TP-Link is dedicated to protecting the business that you've worked hard to build—whenever, wherever.

Outstanding functions, reliable quality guarantees, and simplified installation work together to ensure your business stays safe and sound.



// Flexible Installation

Easily route your camera's cable into a dropped ceiling or avoid drilling by slotting it through the camera's side outlet.



// Specifications

Camera	
Product Model	VIGI C440-W
Image Sensor	1/3" Progressive Scan CMOS
Shutter Speed	1/3 to 1/10000 s
Slow Shutter	Yes
Min. Illumination	0.005 Lux; 0 Lux with IR/White Light
Day/Night Mechanism	IR Cut Filter
Day/Night Switch	Unified/ Scheduled/ Auto
Lens	
Focal Length	Fixed Focal Lens
Focal Length	4 mm
Aperture	F1.6
FOV	Horizontal FOV: 80°, Vertical FOV: 43.2°, Diagonal FOV: 94.2°
Lens Mount	M12
DORI Distance	Detect: 80 m (262 ft) Observe: 33 m (109 ft) Recognize: 16 m (52 ft) Identify: 8 m (26 ft)
Angle Adjustment (Manual)	
Range	Pan: 0° to 360° Tilt: 0° to 85° Rotate: 0° to 360°
Illuminator	
IR LED	Quantity: 2 Range: 30m Wavelength: 850nm
White LED	Quantity: 2 Range: 30m
Illuminator On/Off Control	Auto/Scheduled/Always on/Always off

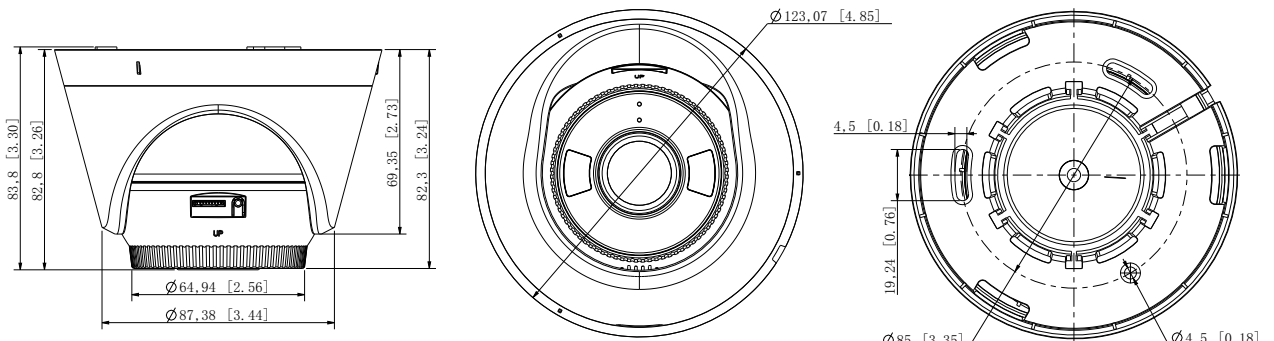
Video	
Max. Resolution	2560 X 1440
Main Stream	<ul style="list-style-type: none"> • Frame Rate 50Hz: 1fps, 5fps, 10fps, 15fps, 20fps, 25fps 60Hz: 1fps, 5fps, 10fps, 15fps, 20fps, 25fps, 30fps • Resolution: 2560x1440, 2304x1296, 2048x1280, 1920x1080, 1280x720 <p>Note: If the image rotation is set to 90° or 270°, the frame rate only supports up to 20fps.</p>
Sub-Stream	<ul style="list-style-type: none"> • Frame Rate 50Hz: 1fps, 5fps, 10fps, 15fps, 20fps, 25fps 60Hz: 1fps, 5fps, 10fps, 15fps, 20fps, 25fps, 30fps • Resolution: 640x480, 352x288, 320x240 <p>Note: If the image rotation is set to 90° or 270°, the frame rate only supports up to 20fps.</p>
Bit Rate Control	CBR, VBR
Video Compression	Main Stream: H.265+/H.265/H.264+/H.264 Sub-Stream: H.265/H.264
H.264 Type	High Profile
H.264+	Main Stream Supported
H.265 Type	Main Profile
H.265+	Main Stream Supported
Video Bit Rate	<ul style="list-style-type: none"> • Main Stream: 256 Kbps to 3 Mbps • Sub-Stream: 64 Kbps to 512 Kbps

Image	
Image Settings	Mirror, Brightness, Contrast, Saturation, Sharpness, Exposure, WDR, White Balance, Prevent Overexposure to Infrared Light, HLC Adjustable by Client Software, Rotation (90°/270°)
Image Enhancement	BLC/3D DNR/HLC/SmartIR
Wide Dynamic Range	DWDR
SNR	≥ 52 dB
Image Parameters Switch	Yes
Privacy Mask	Up to 4 Masks
ROI	1 Region
OSD Setting	Yes
Audio	
Audio Communication	Two-Way Audio
Audio Input	Yes
Audio Output	Yes
Audio Compression	Yes
Audio Sampling Rate	8KHz
Environment Noise Filtering	Yes
Audio Bit Rate	64 Kbps(G.711 alaw)
Network	
Protocols	TCP/IP, UDP, ICMP, HTTP, HTTPS, DHCP, DNS, RTSP, NTP, UPnP, SSL/TLS, FTP/SFTP, RTP, IPv4, IPv6, ARP
ONVIF	Yes
API	Open Network Video Interface (Profile S)
Simultaneous Live View	3 Main Streams & 3 Sub-Streams
Client	VIGI App, VIGI Security Manager, Web UI

Web Browser	<ul style="list-style-type: none"> • Google Chrome® 57 and above • Firefox® 52 and above • Safari® 11 and above • Microsoft® Edge 91 and above 	
Cloud	Yes	
Security	Password Protection, HTTPS Encryption, IP Address Filter, Digest Authentication	
Wireless		
Standards	IEEE 802.11b/g/n	
WiFi Channels	• UN: 1-13	
Frequency	2.4 GHz	
Wireless Transmit Power	High	
Auto Wireless Channel	N/A	
Wireless Statistics	N/A	
Throughput Monitor	N/A	
Radio Bandwidth	Auto	N/A
	20M	Yes
	40M	Yes
Wireless Rate	11Mbps(802.11b) 54Mbps(802.11g) 150/300Mbps(802.11n)	
Wireless Security	WPA-PSK/WPA2-PSK	
Wireless Mode	AP, AP Client	
Alarm and Event Management		
Smart Event	Human & Vehicle Classification, Area Intrusion Detection, Line-Crossing Detection, People Detection, Vehicle Detection, Region Entering Detection, Region Exiting Detection, Object Abandoned Detection, Object Removal Detection, Abnormal Sound Detection, Scene Change Detection	
Basic Event	Motion Detection, Video Tampering Detection, Exception (Illegal Login)	
Alarm Linkage	Memory Card Video Recording, Message Push, Audible Warning, White Light Flashing	

Linkage Method	N/A
Output Notification	Message Push
Interface	
Network Interface	1 RJ45 10/100M Self-Adaptive Ethernet Port
On-board Storage	Built-In Memory Card Slot, Support MicroSD Card, Up to 512 GB
Built-in Speaker	Yes
Built-in Microphone	Yes; Records Anything Going on within a 15-ft Radius of the Camera
Audio	N/A
Alarm	N/A
Reset Button	Yes
Power	DC Power Port
General	
Operating Temperature	-30–60 °C
Storage Temperature	-40–60 °C
Operating Humidity	95% or Less (Non-Condensing)
Storage Humidity	95% or Less (Non-Condensing)
Package Contents	VIGI Network Camera Quick Start Guide Power Adapter Mounting Accessories
Power Supply	9-12V DC/0.85-1.0A, 5.5mm Coaxial Power Plug
Antenna	Quantity: 2 Type: 2.4GHz Welded Dipole Omni-Directional Antenna Gain: 2.0dBi
Protection	N/A
Material	Plastic
Net Weight	0.24 Kg
Gross Weight	0.53 Kg
Product Dimensions	123× 83× 123 mm
Certifications	CE, EAC, UKCA, RCM, Triman, BSMI, VCCI, FCC, IC, R-NZ

Dimensions



*Micro SD card is not included in the package.

Specifications are subject to change without notice and can be found at www.tp-link.com.

©2024 TP-Link