

Outdoor Full-Color
4G Bullet Network Camera

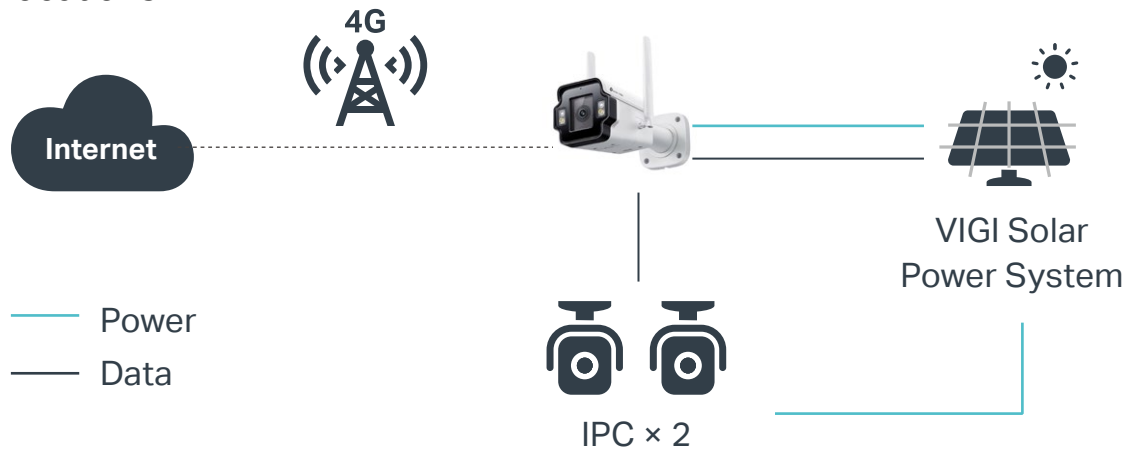
MODEL: InSight S345-4G



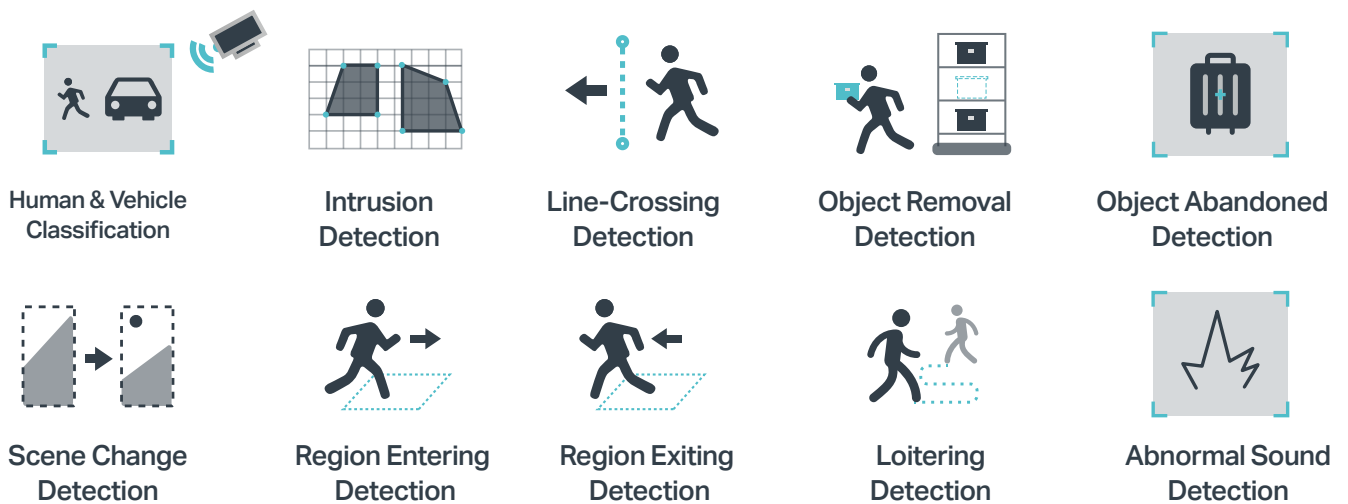
3 LAN Ports	Human & Vehicle Classification	Smart Detection	Active Defense	True WDR	IP66 Weatherproof
----------------	-----------------------------------	--------------------	-------------------	-------------	----------------------

// 3× LAN Ports Cut Costs for Solar Power Solutions

InSight S345-4G offers three LAN ports, enabling simultaneous connectivity for a solar power system and up to two cameras. Three cameras allow wide-area surveillance with minimal deployment effort—ideal for remote outdoor locations.

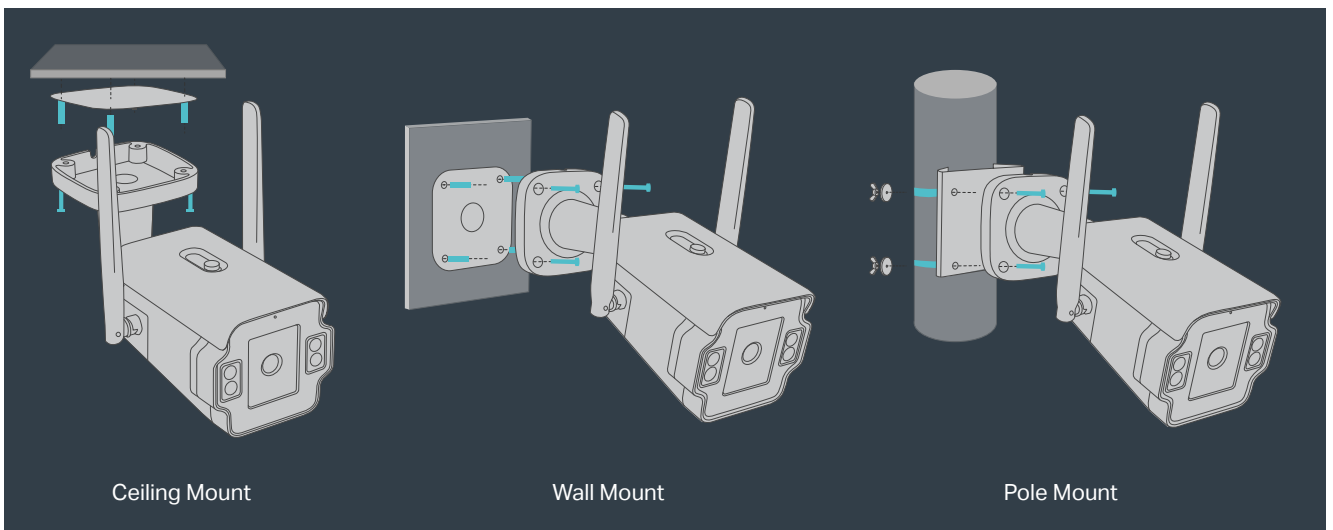


// Smart Detection

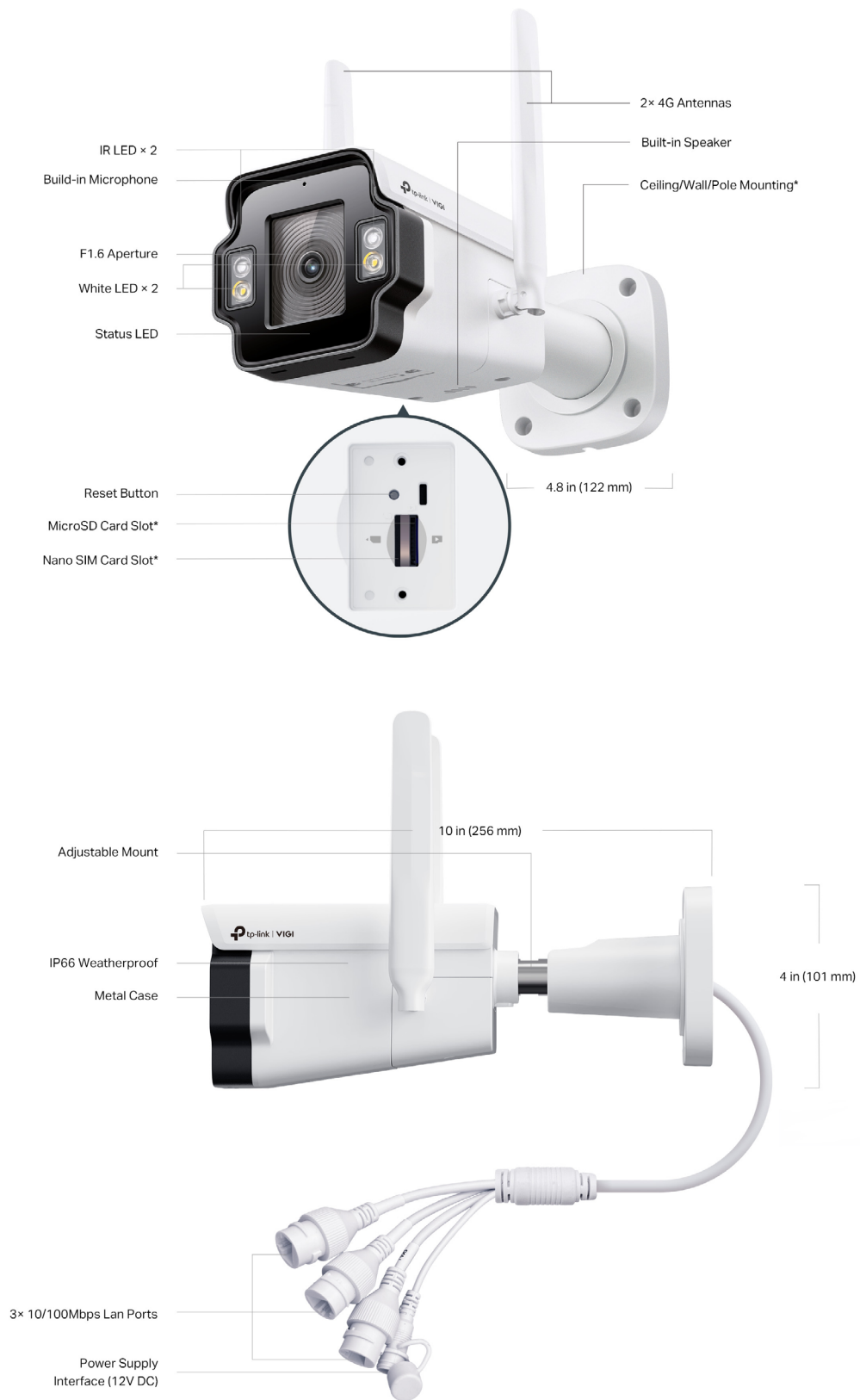


// Flexible Installation

Find the perfect vantage point by simply securing your camera to the ceiling, wall, or pole.*



// Build Features



*The micro SD card, Nano-SIM card, and pole mounting kits are not included in the package.

// Specifications

Camera	
Product Model	InSight S345-4G
Image Sensor	EU: 1/2.7" Progressive Scan CMOS US: 1/2.9" Progressive Scan CMOS
Shutter Speed	1/3 to 1/10000 s
Slow Shutter	Yes
Min. Illumination	0.005 Lux; 0 Lux with IR/White Light
Day/Night Mechanism	IR Cut Filter
Day/Night Switch	Unified/ Scheduled/ Auto
Lens	
Type	Fixed Focal Lens
Focal Length	4 mm
Aperture	F1.6
FOV	EU: Horizontal FOV: 80.4°, Vertical FOV: 41.8°, Diagonal FOV: 98.7° US: Horizontal FOV: 86°, Vertical FOV: 43°, Diagonal FOV: 95°
Lens Mount	M12
DORI Distance	Detect: 80 m (262 ft) Observe: 33 m (109 ft) Recognize: 16 m (52 ft) Identify: 8 m (26 ft)
Angle Adjustment (Manual)	
Range	<ul style="list-style-type: none">• Pan: 0° to 360°• Tilt: 0° to 90°• Rotate: 0° to 360°
Illuminator	
IR LED	<ul style="list-style-type: none">• Quantity: 2• Range: 50m• Wavelength: 850nm

White LED	<ul style="list-style-type: none"> • Quantity: 2 • Range: 30m
Illuminator On/Off Control	Auto/Scheduled/Always on/Always off
Video	
Max. Resolution	2688 X 1520
Main Stream	<ul style="list-style-type: none"> • Frame Rate: 50Hz: 1fps, 5fps, 10fps, 15fps, 20fps, 25fps 60Hz: 1fps, 5fps, 10fps, 15fps, 20fps, 25fps, 30fps • Resolution: 2668x1520, 2560x1440, 2304x1296, 2048x1280, 1920x1080, 1280x720
Sub-Stream	<ul style="list-style-type: none"> • Frame Rate: 50Hz: 1fps, 5fps, 10fps, 15fps, 20fps, 25fps 60Hz: 1fps, 5fps, 10fps, 15fps, 20fps, 25fps, 30fps • Resolution: 848x480,704x576, 640x480, 640x360,352x288, 320x240 <p>Note: If the image rotation is set to 90° or 270°, the frame rate only supports up to 20fps.</p>
Bit Rate Control	CBR, VBR
Video Compression	<ul style="list-style-type: none"> • Main Stream: H.265+/H.265/H.264+/H.264 • Sub-Stream: H.265/H.264
H.264 Type	High Profile
H.264+	Main Stream Supported
H.265 Type	Main Profile
H.265+	Main Stream Supported

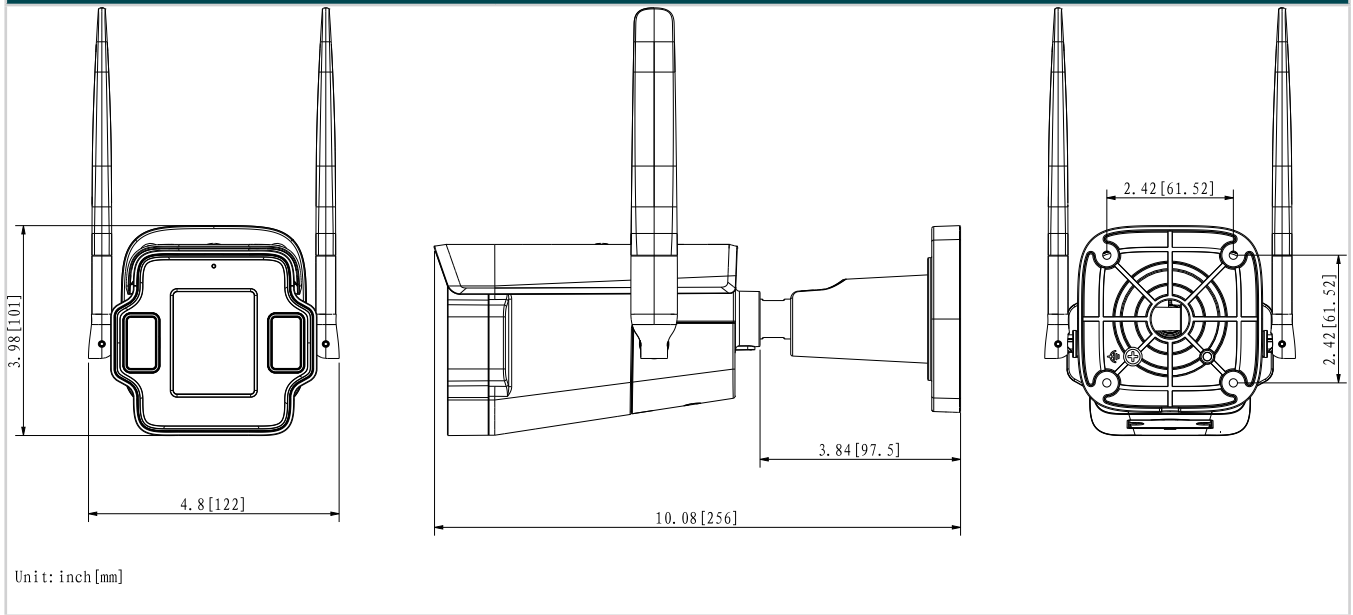
Video Bit Rate	<ul style="list-style-type: none"> • Main Stream: 384 Kbps to 6 Mbps • Sub-Stream: 64 Kbps to 512 Kbps
Image	
Image Settings	<ul style="list-style-type: none"> • Mirror • Brightness • Contrast • Saturation • Sharpness • Exposure • WDR • White Balance • Prevent Overexposure to Infrared Light
Image Enhancement	BLC/3D DNR/HLC/SmartIR
Wide Dynamic Range	120dB
Image Parameters Switch	Yes
Privacy Mask	Up to 4 Masks
ROI	1 Region
OSD Setting	Yes
Audio	
Audio Communication	Two-Way Audio
Audio Input	Yes (Built-in Microphone)
Audio Output	Yes (Built-in Speaker)
Audio Compression	Yes
Audio Sampling Rate	8KHz
Environment Noise Filtering	Yes
Audio Bit Rate	64 Kbps (G.711 alaw)
Network	
Protocols	TCP/IP, UDP, ICMP, HTTP, HTTPS, DHCP, DNS, RTSP, NTP, UPnP, UDP, SSL/TLS, FTP/SFTP, RTP, IPv4, IPv6 (only for EU version), ARP
ONVIF	Yes
API	Open Network Video Interface (Profile S/G/T)

Simultaneous Live View	3 Main Streams & 3 Sub-Streams
Client	VIGI App, Web UI, VIGI VMS, VIGI Cloud VMS, VIGI PC Client, VIGI Config Tool
Web Browser	<ul style="list-style-type: none"> • Google Chrome® 57 and above • Firefox® 52 and above • Safari® 11 and above • Microsoft® Edge 91 and above
Cloud	Yes
Security	Password Protection, HTTPS Encryption, IP Address Filter, Digest Authentication
4G	
4G Standard	EU: LTE-TDD/LTE-FDD/WCDMA US: LTE-FDD
SIM Type	Nano SIM*
Category	4
Frequency	EU: <ul style="list-style-type: none"> • LTE-FDD: B 1/3/5/7/8/20/28 • LTE-TDD: B 38/40/41 • WCDMA: B 1/5/8 US: <ul style="list-style-type: none"> • LTE-FDD: B 2/4/5/12/13/14/66/71
Alarm and Event Management	
Smart Event	<ul style="list-style-type: none"> • Intrusion Detection • Line-Crossing Detection • Region Entering Detection • Region Exiting Detection • Object Abandoned Detection • Object Removal Detection • Loitering Detection • People Detection • Vehicle Detection • Abnormal Sound Detection • Scene Change Detection

Basic Event	<ul style="list-style-type: none"> • Motion Detection (Enhanced with Human & Vehicle Classification for more accurate alerts) • Video Tampering Detection • Exception (Illegal Login)
Alarm Linkage	<ul style="list-style-type: none"> • Memory Card Video Recording • Message Push • Audible Warning • White Light Flashing • Upload to FTP server • Send to Alarm Server • Email Alarm
Power	
Typical Power Consumption	<ul style="list-style-type: none"> • Day mode: 3.4W** • Night mode with IR LED: 5.5W** • Night mode with White LED: 5.3W**
Maximum Power Consumption	9.6W**
Interface	
Network Interface	3 RJ45 10/100M LAN Ports
On-board Storage	Built-In Memory Card Slot, Support MicroSD Card*, up to 512 GB
Built-in Nano-SIM Card Slot	Yes
Built-in Speaker	Yes
Built-in Microphone	Yes; Records Anything Going on within a 15-ft Radius of the Camera
Audio	N/A
Alarm	N/A
Reset Button	Yes
Power	DC Power Port
General	
Operating Temperature	-30–60 °C
Storage Temperature	-40–60 °C
Operating Humidity	95% or Less (Non-Condensing)
Storage Humidity	95% or Less (Non-Condensing)

Package Contents	<ul style="list-style-type: none"> • VIGI Network Camera • Quick Start Guide • Waterproof Cable Attachments • Mounting Accessories • Power Adapter
Power Supply	12V DC/1A, 12W
Antenna	<ul style="list-style-type: none"> • Quantity: 2 • Type: 690~960&1710~2690MHz Dipole Omni-Directional Antenna • Gain: EU: Ant1: 0.84dBi@690~960MHz, 2.85dBi@1710~2690MHz Ant2: 0.74dBi@690~960MHz, 3.06dBi@1710~2690MHz US: Ant1&Ant2: 0.8dBi@690~960MHz, 3dBi@1710~2690MHz
Protection	IP66 Weatherproof
Material	Metal
Net Weight	1.09 Kg
Product Dimensions	10 × 4.8 × 4.0 in (256 × 122 × 101 mm) (excluding antennas)
Certifications	WPS, WHQL, Energy Star, RoHS, CE, NCC,NTRA,KC,RCM,ONVIF, IP66 FCC, PTCRB, Verizon, T-Mobile, AT&T

Dimensions



*Pole mounting kits, MicroSD card and Nano-SIM card are not included in the package. US version supports data-only SIM cards; voice and SMS services are not supported.

**Typical power consumption test conditions are: IPC wired preview and 4G streaming preview without white light on (Day Mode), with IR light on (Night Mode with IR LED), with white light on (Night Mode with White LED). The results are for reference only and may vary due to changes in the test environment.

Specifications are subject to change without notice and can be found at www.tp-link.com.

©2025 TP-Link